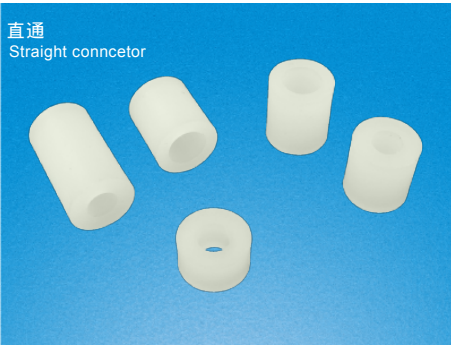


RCCN 日成LED直通圆体隔离柱 Led Spacer Support

直通
Straight connector

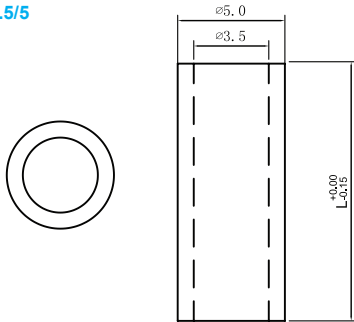


材 质:UL合格之NYLON66 (本色)。
功 能:用于保护LED立于PC板,使灯高度一致,
中间隔板设计,接脚不会弯曲,折断,短路。
防火等级:UL94-V2。
工作温度:-40 ~120 。标准包装:最小起订量2000pcs/包。

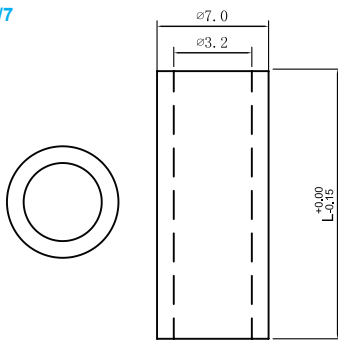
Material:UL approved NYLON66 (natural)
Functions:keep LED to hold PC board,
Fireproof:UL94-V2
Operate temperature:-40 ~120
Standard packing:mini.2000pcs/bag

单位/Unit:mm

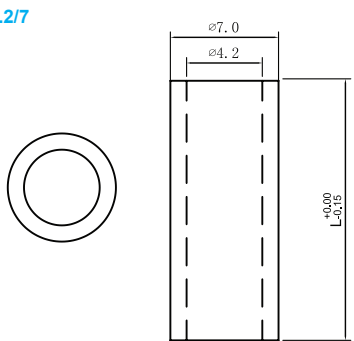
LED3.5/5



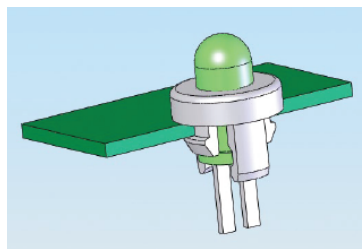
LED3.2/7



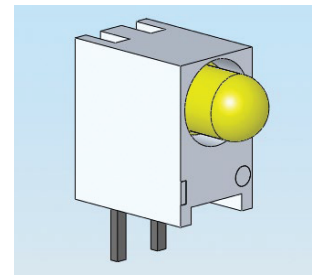
LED4.2/7



型号/Item No.	型号/Item No.	型号/Item No.
内径/外径/高度 Inner dia./Outer dia./Height	内径/外径/高度 Inner dia./Outer dia./Height	内径/外径/高度 Inner dia./Outer dia./Height
LED3.5/5-2.0	LED3.2/7-2.0	LED4.2/7-2.0
LED3.5/5-2.5	LED3.2/7-2.5	LED4.2/7-3.0
LED3.5/5-3.0	LED3.2/7-3.0	LED4.2/7-4.0
LED3.5/5-3.5	LED3.2/7-4.0	LED4.2/7-4.5
LED3.5/5-4.0	LED3.2/7-4.5	LED4.2/7-5.0
LED3.5/5-4.5	LED3.2/7-5.0	LED4.2/7-6.0
LED3.5/5-5.0	LED3.2/7-5.0B	LED4.2/7-7.0
LED3.5/5-6.0	LED3.2/7-6.0	LED4.2/7-8.0
LED3.5/5-6.5	LED3.2/7-6.5	LED4.2/7-8.5
LED3.5/5-7.0	LED3.2/7-7.0	LED4.2/7-9.0
LED3.5/5-7.5	LED3.2/7-7.5	LED4.2/7-9.5
LED3.5/5-8.0	LED3.2/7-8.0	LED4.2/7-10.0
LED3.5/5-9.0	LED3.2/7-8.5	LED4.2/7-11.0
LED3.5/5-10.0	LED3.2/7-9.0	LED4.2/7-12.0
LED3.5/5-10.5	LED3.2/7-9.5	LED4.2/7-13.0
LED3.5/5-11.0	LED3.2/7-10.0	LED4.2/7-14.0
LED3.5/5-11.5	LED3.2/7-11.0	LED4.2/7-15.0
LED3.5/5-12.0	LED3.2/7-12.0	LED4.2/7-16.0
LED3.5/5-13.0	LED3.2/7-13.0	LED4.2/7-18.0
LED3.5/5-14.0	LED3.2/7-14.0	LED4.2/7-19.0
LED3.5/5-15.0	LED3.2/7-15.0	LED4.2/7-20.0
LED3.5/5-16.0	LED3.2/7-16.0	LED4.2/7-21.0
LED3.5/5-17.0	LED3.2/7-17.0	LED4.2/7-24.0
LED3.5/5-18.0	LED3.2/7-18.0	LED4.2/7-25.0
LED3.5/5-19.0	LED3.2/7-19.0	
LED3.5/5-20.0	LED3.2/7-25.0	
LED3.5/5-22.0	LED3.2/7-26.0	
LED3.5/5-25.0		
LED3.5/5-26.0		



LEDC-3



LED-1F