



CT63-1412TK(BL)-01connector

CT63-1412TK(BL)-01connector

Connector Type: Plug

Connector system: line to line

Main locking features: Enclosure integration

Strain elimination: No

Electrical characteristics: Rated current: 13A; Operating voltage: 500VAC Insulation resistance: $\geq 5000 \text{ M}\Omega$ (room temperature) Withstanding voltage: 1500VAC (room temperature)

Main features: black, cable outlet angle of 180° , the main material PA GF

Contact Features: Docking male end width 1 mm

Temperature range: $-40^\circ\text{C} \sim 125^\circ\text{C}$

Protection class: IP67

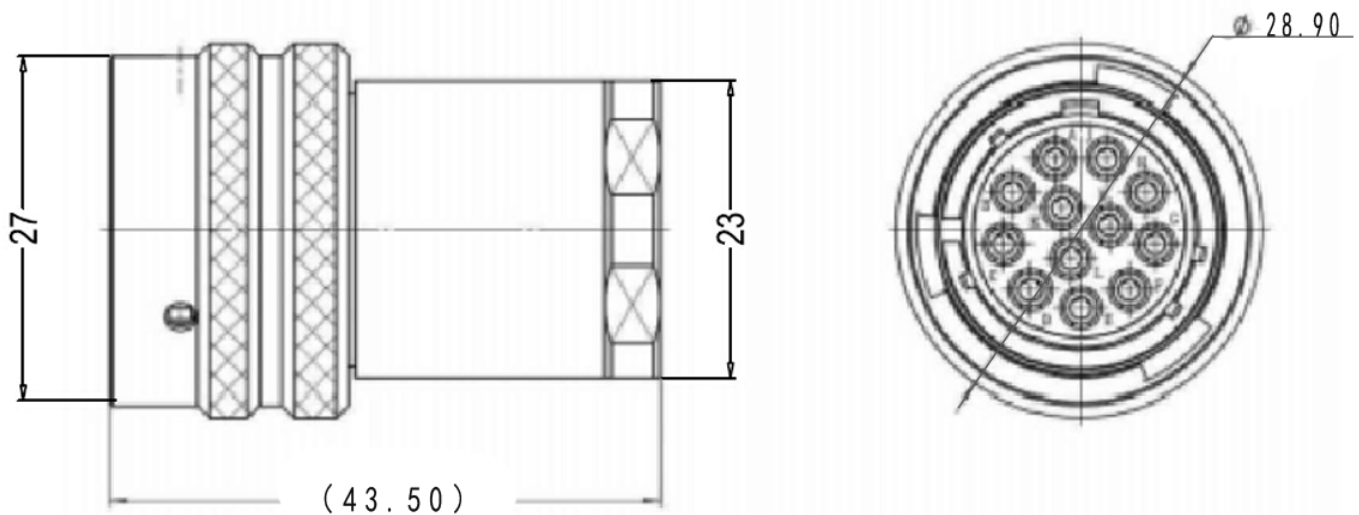
Uses: for cars, trucks, buses and off-highway vehicles in the shell

Packing: 200PCS



Connector harness connector harness connecto

Specification



Product Show

