



Trunking elbow, plug, tee

PZC4040 trunking elbow, plug, tee

Quality: made of low halogen rigid PVC material, environmental pollution, no lead and other toxic substances.

Product Certification: US UL: E306674 European CE European environmental protection RoHS, REACH, railway flame retardant low smoke.

Fire rating: UL94V-0, low smoke micro-halogen, the case of fire does not burn, fire and insulation is particularly good.

Easy assembly and disassembly: PVC cable trunking has a unique method of deduction, easy to open, easy to shoot a shot that, solid and beautiful.

Good fire performance: PVC wire mesh high oxygen index, with flame retardant.

Grip screw strong: PVC wire slot grip screw force, not because of nail rupture.

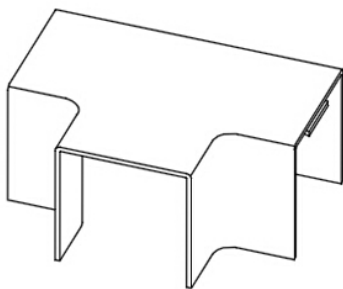
Beautiful: PVC cable trough color is small, beautiful shape, suitable for indoor installation.

Product applicable: wire and cable threading, shopping malls, homes, workshops, schools and other strong power wiring, telecommunications wiring, monitoring wiring; disaster prevention, security.

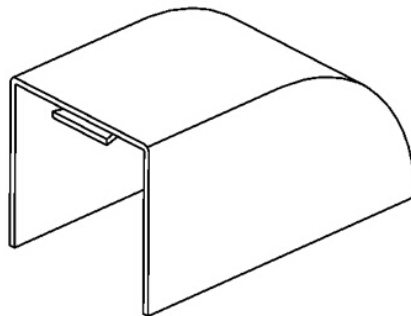
PZC4040 trunking elbow plug Tee

Specification

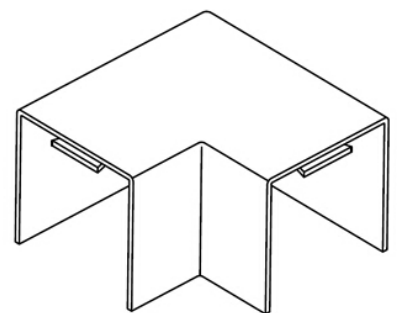
PZC4040 三通



PZC4040 堵头



PZC4040 弯头



Product Show

