



## Pipe clamp

### Pipe clamp

Material: steel galvanized

Working temperature: -300 to 900

Product features: durable, high and low temperature resistance

Purpose: Used for fastening and anti-vibration of pipeline systems such as water supply and drainage,

heating and ventilation. Need to pass through the bolt column at both ends during the installation process,

Installed on the pipeline engineering has the effect of tightening and fixing; it can also be used with anti-seismic

accessories through welding or bolt-column connection, and has the effect of anti-seismic fastening.

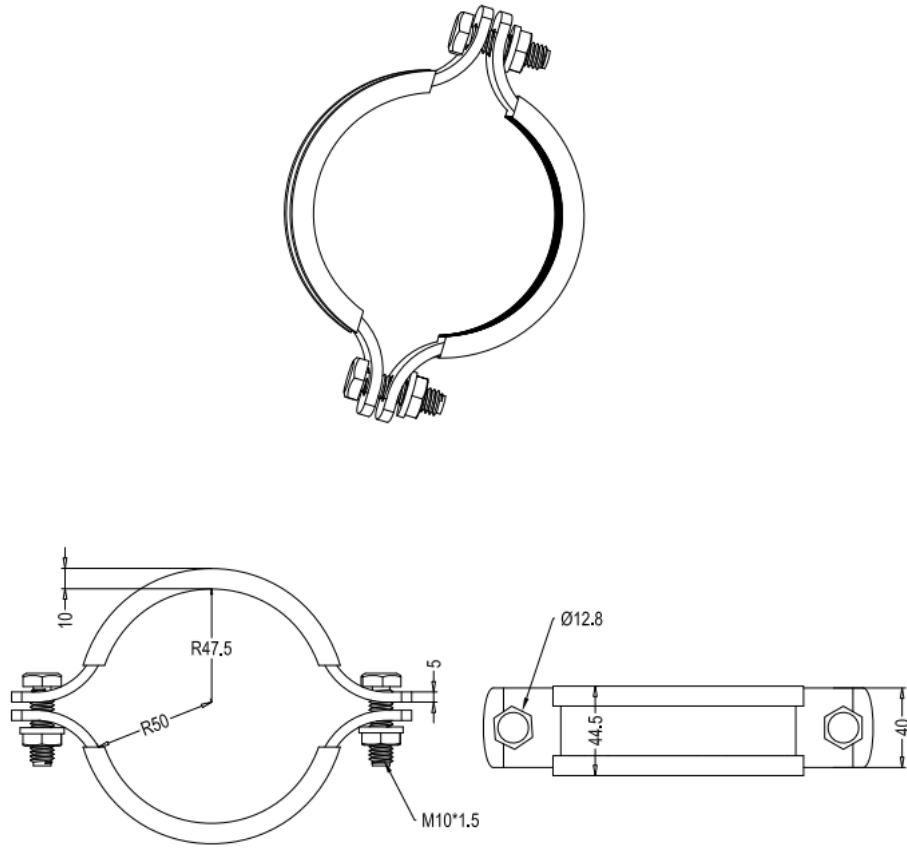
Application areas: It can be used in the automotive industry, rail transit, photovoltaic industry, engineering construction,

electric power, metallurgy and chemical industry, bridge manufacturing and other industries.

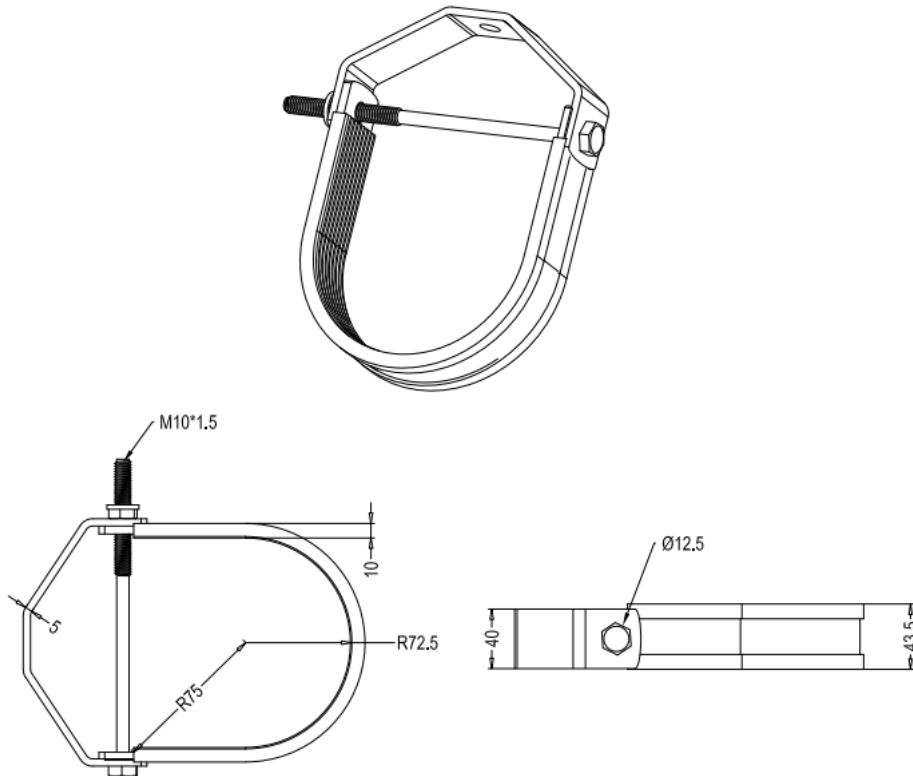
Pipe clamp

## Specification

### RCCN 日成GKO-100型管卡



### RCCN 日成GKU-150型管卡



product name	Product number	Inside diameter ( mm )	thickness (mm)	unit	package
--------------	----------------	------------------------	----------------	------	---------

O type pipe clamp	GKO-65	65	5	set	1
	GKO-80	80			
	GKO-100	100			
	GKO-125	125			
	GKO-150	150			
	GKO-200	200			
Ohm tube card	GKR-65	65	5	set	1
	GKR-80	80			
	GKR-100	100			
	GKR-125	125			
	GKR-150	150			
	GKR-200	200			
U type pipe clamp	GKU-65	65	5	set	1
	GKU-80	80			
	GKU-100	100			
	GKU-125	125			
	GKU-150	150			
	GKU-200	200			

### Product Show





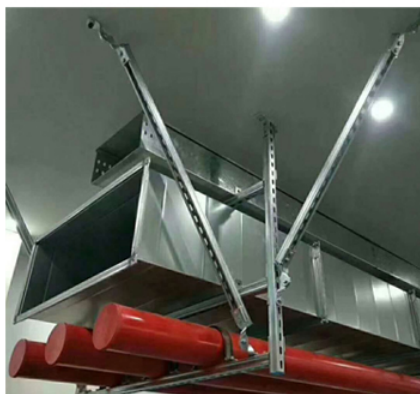


---

Product Application

---

Ohm tube card



U type pipe clamp



O type pipe clamp

