



Universal nylon drag chain

Universal nylon drag chain

1. Strong adaptability, can do two-way three-dimensional movement
2. International certification: EU CE safety certification.
3. Structure: It is composed of many unit chain links, which can rotate freely between the chain links. Fine workmanship, compact structure, fine texture, round and smooth color
4. High resistance: It is made of one-time nylon 66 material, which is nylon 66 plus 30% glass fiber reinforced and toughened; it has good wear resistance, oil and salt resistance, and has certain acid and alkali resistance.
5. High and low temperature resistance: The product has no change after the sample is tested at a low temperature of -40 degrees for 24 hours. After being tested for 24 hours at a high temperature of 130 degrees, the product has no cracks, deformation, stickiness, dents, etc. It can be rotated in all directions, no deformation, no aging, stable performance and long service life.

It overcomes the problem that the existing robot drag chain is not easy to bend due to the uniform design of the outer ring surface in the chain link structure, which leads to insufficient portability when installing cables in the drag chain and repairing the internal cables of the drag chain; poor sealing results in air The dust, oil and water stains generated during robot operation enter into the drag chain and contaminate the cable

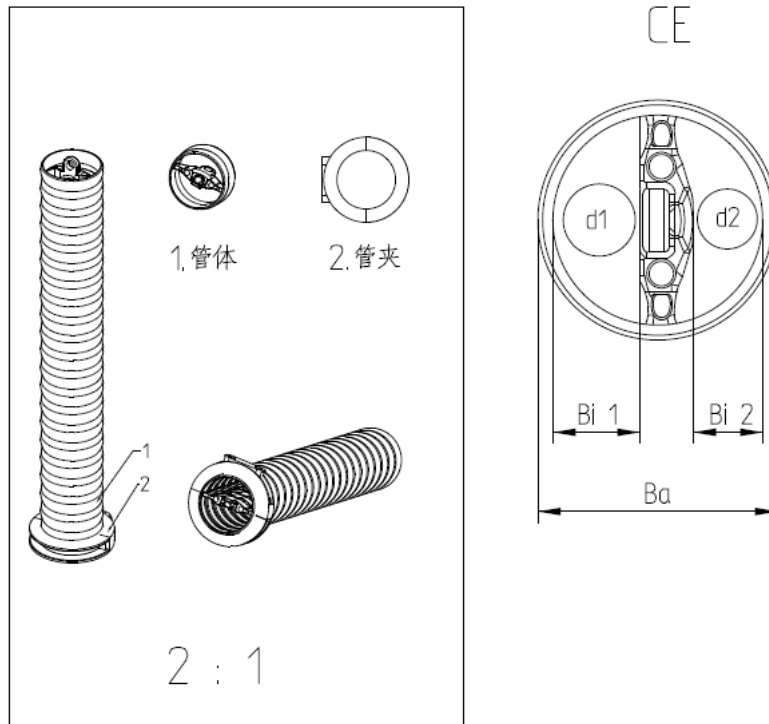
Application areas: Widely used in various types of machine tools, robots, transportation machinery, lifting equipment, measuring instruments, handling devices, automated warehouses, and other drive control equipment such as CNC machine tools, machining centers, electronic equipment, automated machinery and production lines.

Uses: As a protective device for wires, air pipes, oil pipes, water pipes, etc. It is suitable for use in reciprocating motion occasions, and can provide traction and protection for built-in cables, oil pipes, air pipes, and water pipes.

Universal nylon drag chain

Specification

RCCN Universal nylon drag chain



Universal nylon drag chain					
Specification mm	Bi1	Bi2	Allowable cable diameter d1	Allowable cable diameter d2	Outer width Ba
43	13.1	16.5	11.1	14.5	43.4
47					
57					

Product Show







Product Application



采用高科技纳米增高尼龙材料
尼龙万向拖链
汽车线束、建筑工程、机械电子等领域
Special fire retardant automotive special for new energy

- 不变形
- 寿命长
- 耐摩擦
- 不老化